

ELECTRIC TORQUE WRENCHES - GFC & GCW Series

APPLICATIONS

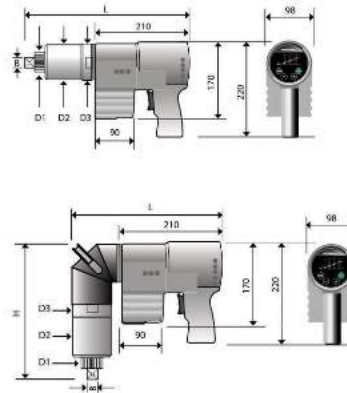
- ◆ Consistent torque accuracy in all international power supplies 100-253V / 45-66 Hz. Power max. 2000W, protection category I.
- ◆ Precise shut-off torque at operation with voltage-controlled portable generators.

GRIPHOLD® SPECIALS

- ◆ Innovative motor protection with automatic switch-off to secure the bolting quality.
- ◆ Smart processor-controlled switch-off electronics for consistently precise reproduction of the pre-selected torque.
- ◆ Angle-drive with optimized efficiency and great running characteristics (Models GRIPHOLD® GCW)
- ◆ Extraordinarily robust motor housing of cast aluminum.
- ◆ Repeat shut off accuracy +/-3% for the same bolting application.

ADVANTAGES

- ◆ Maintenance-free, low-wear, brushless synchronous motor with excellent efficiency.
- ◆ Simple 1-finger operation for quick, comfortable work.
- ◆ The 360 degree rotating handle ensures comfortable operation and none of the reaction forces are transferred to the operator.



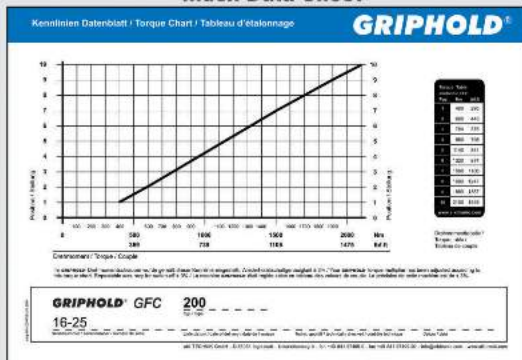
Technical data

Series GFC	Type	GFC 40	GFC 80	GFC 120	GFC 200	GFC 280	GFC 350	GFC 500
Torque range (approx.)*	Nm	60-450	150-840	200-1250	400-2100	500-2800	660-3600	900-5000
Square drive	B	3/4"	3/4"	3/4" / 1"	1"	1"	1 1/2"	1 1/2"
Diameter (approx.)	D1 mm	41	41	41/54	54	54	72	72
Diameter (approx.)	D2 mm	85	85	85	85	85	98	109
Diameter (approx.)	D3 mm	88	88	88	88	88	98	109
Length (approx.)	L mm	330	330	375	375	382	400	438
Weight without DMA (approx.)	kg	8.5	8.5	10	10	10.5	12.5	14
Idle speed	rpm	19	12	8	7	6	4	2

Series GCW	Type	GCW 40	GCW 80	GCW 120	GCW 200	GCW 280	GCW 350	GCW 500
Torque range (approx.)*	Nm	60-450	150-840	200-1250	400-2100	500-2800	660-3600	900-5000
Square drive	B	3/4"	3/4"	3/4" / 1"	1"	1"	1 1/2"	1 1/2"
Diameter (approx.)	D1 mm	41	41	41/54	54	54	72	72
Diameter (approx.)	D2 mm	85	85	85	85	85	98	109
Diameter (approx.)	D3 mm	88	88	88	88	88	98	109
Length (approx.)	L mm	302	302	302	302	302	316	320
Height (approx.)	H mm	249	249	280/300	300	300	315	350
Weight without DMA (approx.)	kg	11.5	11.5	12/13	13	13.5	15.5	20
Idle speed	rpm	20	13	9	8	7	4	2

* When loosening a bolted connection, up to 20% higher torque may be required (loosening torque). We will gladly advise you in detail.

Index Data Sheet



Index data sheet (example GFC 200) with torque table for determination of torque values. The shut-off torque has a position figure assigned. In the operating area, the desired position can be selected with the +/- buttons (figure on the right).

Operating area GRIPHOLD® GFC / GCW



Operating interface for selection of 19 pre-set shut-off torques (incl. interim positions). One or two LEDs show the currently selected position.

ELECTRIC TORQUE WRENCHES - GFCip & GCWip Series

APPLICATIONS

- ◆ Consistent torque accuracy in all international power supplies 100-253V / 45-66 Hz. Power max. 2000W, protection category I. Protection Class IP 54 (Standard).
- ◆ Precise shut-off torque at operation with voltage-controlled portable generators.

GRIPHOLD® SPECIALS

- ◆ Models GFCip/ GCWip in version "plus" for high-quality bolting according to the torque/angle procedure.
- ◆ Innovative motor protection with automatic switch-off to secure the bolting quality.
- ◆ Smart processor-controlled switch-off electronics for consistently precise reproduction of the pre-selected torque.
- ◆ Extraordinarily robust motor housing of cast aluminum.

ADVANTAGES

- ◆ Safe work in any weather (moisture, rain). Ask about the best design with protection class IP 54.
- ◆ Maintenance-free, low-wear, brushless synchronous motor with excellent efficiency.
- ◆ Simple 1-finger operation for quick, comfortable work.
- ◆ The 360 degree rotating handle ensures comfortable operation and none of the reaction forces are transferred to the operator.



Technical data

Series GFCip and "plus" version	Type	GFCip 10	GFCip 20	GFCip 30	GFCip 40	GFCip 50	GFCip 60	GFCip 65	GFCip 70	GFCip 80	GFCip 90	GFCip 100
Torque range (approx.)*	Nm	60-420	80-620	150-1050	250-1500	300-1850	450-2450	500-2900	600-3500	750-4300	980-5000	1250-6500
Square drive	B	3/4"	3/4"	3/4"	1"	1"	1"	1"	1"/1 1/2"	1 1/2"	1 1/2"	1 1/2"
Diameter (approx.)	D1 mm	41	41	41	54	54	54	54	72	72	72	72
Diameter (approx.)	D2 mm	85	85	85	85	85	85	85	98	98	109	109
Diameter (approx.)	D3 mm	88	88	88	88	88	88	88	98	98	109	109
Length (approx.)	L mm	330	330	330	382	382	388	388	400/406	406	405	430
Weight without DMA (approx.)	kg	9	9	9	10	10	11	11	13	13	14.5	15.5
Idle speed	rpm	76	39	23	19	14	13	7.5	9	7	6	4

Series GCWip and "plus" version	Type	GCWip 10	GCWip 20	GCWip 30	GCWip 40	GCWip 50	GCWip 60	GCWip 65	GCWip 70	GCWip 80	GCWip 90	GCWip 100
Torque range (approx.)*	Nm	60-420	80-620	150-1050	250-1500	300-1850	450-2450	500-2900	600-3500	750-4300	980-5000	1250-6500
Square drive	B	3/4"	3/4"	3/4"	1"	1"	1"	1"	1"/1 1/2"	1 1/2"	1 1/2"	1 1/2"
Diameter (approx.)	D1 mm	41	41	41	54	54	54	54	72	72	72	72
Diameter (approx.)	D2 mm	85	85	85	85	85	85	85	98	98	109	109
Diameter (approx.)	D3 mm	88	88	88	88	88	88	88	98	98	109	109
Length (approx.)	L mm	310	310	310	310	310	310	310	318/324	318	326	315
Height (approx.)	H mm	249	249	249	300	300	305	305	315	315	345	350
Weight without DMA (approx.)	kg	12	12	12	13	14	14	14	16	16	17	12
Idle speed	rpm	76	39	23	19	14	13	7.5	9	7	6	4

* When loosening a bolted connection, up to 20% higher torque may be required (loosening torque). We will gladly advise you in detail.

Operating area GFCip/GCWip Version "plus" with LC Display

Examples standard modes

MODE 1



Bolting via torque
Option: Automatic relief according to pre-set angle degrees

In the basic version, these two programmes (modes) are available. For user-specific bolting applications or settings, additional modes can be pre-installed optionally.

MODE 2

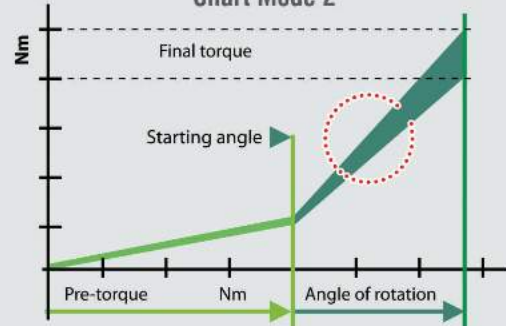


Torque/angle procedure for high quality screw connections, with status display bolting OK or NOK

Examples for customer-specific programmes

- Mode 3 - Bolting with angle degree specification
- Mode 4 - Number of revolution specification
- Mode 10 - Loosening or tightening with max. machine output

Chart Mode 2



Information on rotational angle setting for torque/angle method

- The angle of rotation is specified constructively for the bolting connection
- The angle of rotation can be determined easily with the GRIPHOLD® HSD.
- We will gladly provide you with detailed product information on this.

ELECTRIC TORQUE WRENCHES - GEF & GEFw Series

APPLICATIONS

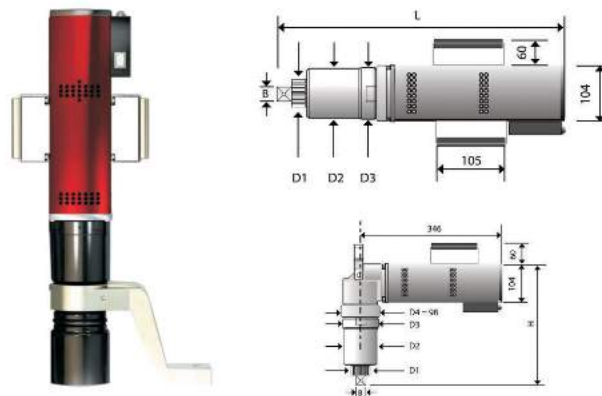
- ◆ Consistent torque accuracy in all international power supplies 100-253V / 45-66 Hz. Power max. 2000W, protection category I. Protection Class IP 20 (Standard). Protection Class IP 54 (Optional).
- ◆ Precise shut-off torque at operation with voltage-controlled portable generators.

GRIPHOLD® SPECIALS

- ◆ Models GEF / GEFw in version "plus" for high-quality bolting according to the torque/angle procedure.
- ◆ Innovative motor protection with automatic switch-off to secure the bolting quality.
- ◆ Smart processor-controlled switch-off electronics for consistently precise reproduction of the pre-selected torque.
- ◆ Extraordinarily robust motor housing of cast aluminum.
- ◆ Safe work in any weather (moisture, rain). Ask about the best design with protection class IP 54.

ADVANTAGES

- ◆ Maintenance-free, low-wear, brushless synchronous motor with excellent efficiency.
- ◆ High motor speed, up to three times as fast as conventional electrical torque wrenches.
- ◆ The 360 degree rotating handle ensures comfortable operation and none of the reaction forces are transferred to the operator.



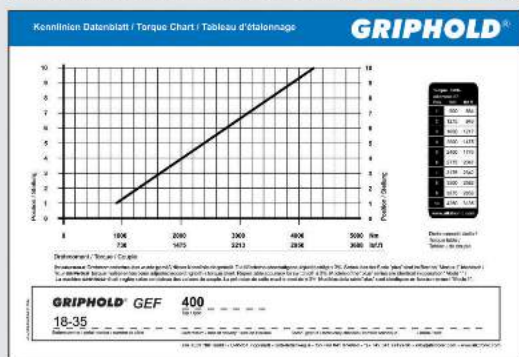
Technical data

Series GEF / GEF plus	Type	GEF 250	GEF 300	GEF 400	GEF 600	GEF 800	GEF 1000	GEF 2000	GEF 4000
Torque range (approx.)*	Nm	430-2700	500-3100	900-4300	1150-6200	2000-7800	2050-9800	3500-20600	6200-42000
Square drive	B	1"	1"	1½"	1½"	1½"	1½"	2½"	2½"
Diameter (approx.)	D1 mm	54	72	72	72	72	91	SW120	SW120
Diameter (approx.)	D2 mm	85	98	98	109	133	173	275	275
Diameter (approx.)	D3 mm	88	88	88	109	133	173	98	130
Length (approx.)	L mm	515	515	525	535	560	555	745/730(ip)	745/730(ip)
Weight without DMA (approx.)	kg	13	14	14.5	16	19.5	27	60	62
Idle speed	rpm	14	12	8	7	4	3	1	0.6

Series GEFw / GEFw plus	Type	GEFW 250	GEFW 300	GEFW 400	GEFW 600	GEFW 800	GEFW 1000
Torque range (approx.)*	Nm	430-2700	500-3100	900-4300	1150-6200	1050-8000	2050-9800
Square drive	B	1"	1"	1½"	1½"	1½"	1½"
Diameter (approx.)	D1 mm	54	72	72	72	72	91
Diameter (approx.)	D2 mm	85	98	98	109	133	173
Diameter (approx.)	D3 mm	88	88	88	109	133	173
Height (approx.)	H mm	285	305	320	350	350	380
Weight without DMA (approx.)	kg	13.5	13.5	15.5	17.5	20	29
Idle speed	rpm	14	12	8	7	4	3

* When loosening a bolted connection, up to 20% higher torque may be required (loosening torque). We will gladly advise you in detail.

Index datasheet for versions GRIPHOLD® GEF / GEFw



Remote control



Operating interface for selection of 19 pre-set shut-off torques (incl. interim positions). One or two LEDs show the currently selected position.