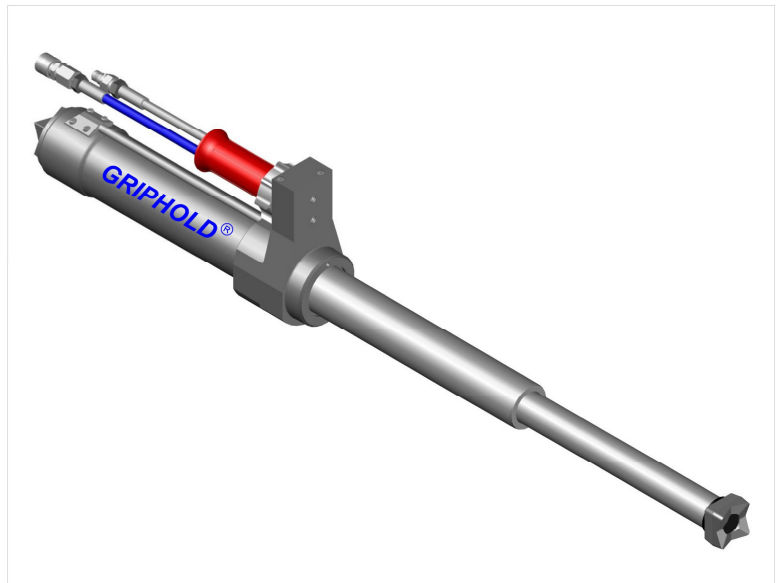
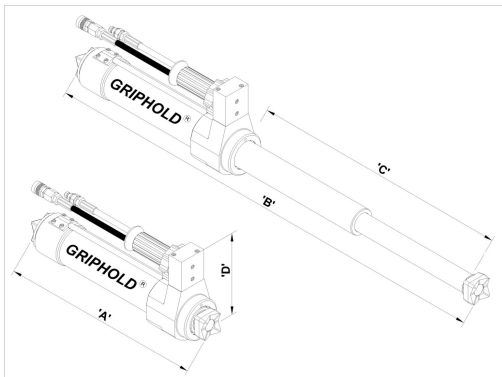


Hydraulic Rescue Ram

GRIPHOLD 2-Stage Telescopic Rescue Rams are designed to lift and push the material up to 26.9 Ton capacity. The salient feature of their application is the huge lift with minimal overall height. They are designed for vehicle rescue, accidents on rails and ships or the cases of building collapses caused by natural disasters. The extended length GRS2-27 is 1255 mm. Non-slip claws on the piston rod and in the cylinder base provide a secure grip on sloping and smooth surfaces. The claws can be rotated through 360° with minimum overall height and a huge stroke due to telescopic design.

Advantages:

- Faster and safer rescue: two telescopic double acting cylinders replace three standard cylinders;
- Minimum overall height and enormous stroke due to telescopic design;
- Sensitive operation at the star grip without twisting the wrist;
- Gripping claws on the piston rod and in the cylinder base provide secure grip on sloping and smooth surfaces;
- Claws rotatable by 360°;
- Rigid Alloy Steel Body;
- Rigid Aluminum alloy cylinder.



| Model No. | Max. Working Pressure (bar) | Capacity (Ton) | | Oil Capacity (cm ³) | Retracted Length A (mm) | Extended Length B (mm) | Total Lift C (mm) | Height D (mm) | Weight (Kgs) |
|-----------|-----------------------------|----------------|----------|---------------------------------|-------------------------|------------------------|-------------------|---------------|--------------|
| | | Piston-1 | Piston-2 | | | | | | |
| GRS2-27 | 700 | 26.9 | 13.4 | 1740 | 550 | 1255 | 705 | 221 | 19.50 |