

BATTERY OPERATED ELECTRIC TORQUE WRENCHES

APPLICATIONS

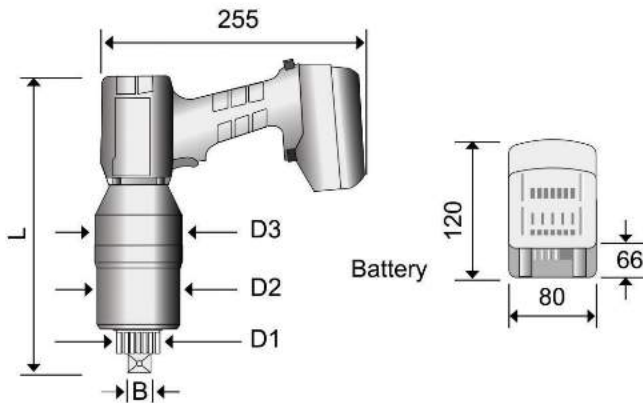
- ◆ Extremely short fastening cycles: Fast gear for run down and power gear for highest torques and precision.
- ◆ Mobile and always ready to use: Compact design for convenient working in limited spaces or without power supply.
- ◆ Efficient operation: Fast and easy gear-changing, great torque range - each gear has eleven torque values to choose from.

GRIPHOLD® SPECIALS

- ◆ Very low susceptibility to damage and failure: Robust motor housing made of special polymer. It is break-proof, impact-proof and resistant to corrosion.
- ◆ Intelligent energy management: Smart electronics protect every battery cell from over charging and depth discharge. The charger cools battery packs during recharging. This reduces charging times and maximizes performance and durability.

ADVANTAGES

- ◆ Low running costs: The low-wear, brushless synchronous motor is maintenance free.
- ◆ Health-preserving: Low weight, ergonomically designed, low noise emissions, No noise protection necessary.
- ◆ High performance: Two lithium-ion battery packs ensure up to 360 screw joints in a row. Each battery features a LED charge level indicator.
- ◆ Exact shut-off torque even at low battery levels.



Series GEA	Type	GEA 2/80	GEA 2/150	GEA 2/200	GEA 2/300	GEA 2/400
Torque range (approx.)*	Nm	90-900	140-1400	220-2200	320-3200	400-4000
Torque range (approx.)*	lbf.ft	65-660	105-1030	160-1620	235-2360	295-2950
Square drive	B	3/4"	3/4"	1"	1"	1½"
Diameter (approx.)	D1 mm	41	41	54	72	72
Diameter (approx.)	D2 mm	85	85	85	93	93
Diameter (approx.)	D3 mm	88	88	88	97	97
Length (approx.)	L mm	295	295	320	370	370
Weight without DMA approx.**	kg	5.5	5.5	7.0	7.4	9.1
Idle speed 2nd gear	rpm	6.0	4.0	1.5	1.1	0.9
Idle speed 1st gear	rpm	22.0	11.5	5.0	4.1	3.0

* When loosening bolts, a higher torque (up to 20 %) may be necessary (release torque). We will be pleased to help you with your choice. ** Torque reaction absorber

