

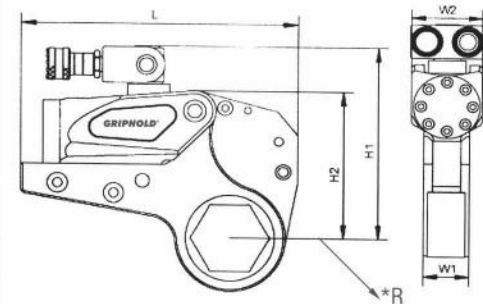
TCD - Series



- ◆ Double Acting Cylinder
- ◆ Exchangeable Hex Casset with one way ratcheting mechanism, to eliminate usage of heavy sockets
- ◆ 360° x 180° Swivel hose connection to reduce whip lashing & easy usage at restricted areas
- ◆ The inserts are with thin profile to use at limited space, where sockets can't be used
- ◆ Special high strength, ultra-light aircraft material for strength & light weight
- ◆ Reaction arm inbuilt with the inserts
- ◆ Working pressure of 700 bars
- ◆ Accuracy $\pm 3\%$

Part No.	TCD-2	TCD-6	TCD-11	TCD-18	TCD-44
Torque Range Nm	230 - 2420	580 - 6475	1090 - 11780	1850 - 18530	4180 - 44600
Hex. A/F	19 - 60	34 - 80	41 - 105	50 - 117	110 - 175
L mm-Max.	197	246	300	360	440
H1 mm-Min.	126	177	206	228	302
H1 mm-Max.	129	187	215	239	315
H2 mm-Min.	102	135	169	192	272
H2 mm-Max.	105	146	178	204	285
W1 mm	32	41	53	64	85
W2 mm	50	65	83	100	130
Wt. Power Head(kg)	1	2	3.3	5.5	11.5
Wt. Cassette(kg)Max.	1.7	4.6	8.4	11.5	30

Hexagon Cassette
Hydraulic Torque Wrench



*R(Nose Radius) depends on the A/F sizes of cassettes and can be supplied on demand.