

PNEUMATIC TORQUE WRENCHES - GLS / GLD / GLS2 Series

APPLICATIONS

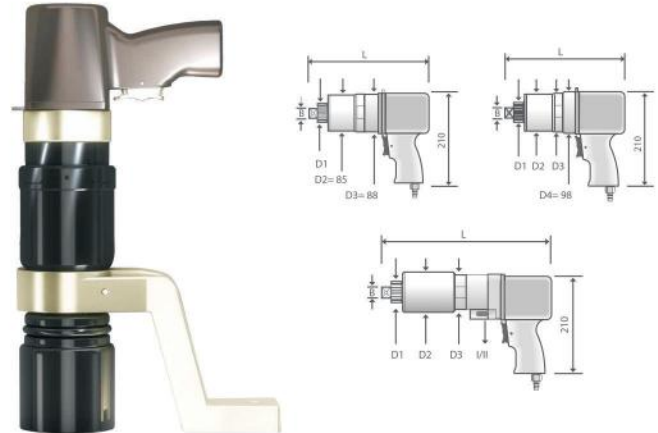
- ◆ Continuous rotation tightening or loosening of all heavy duty fastening connections.
- ◆ Perfect bolted applications in an environment with increased hazard of explosion.
- ◆ GRIPHOLD® GLS quick, compact torque wrench for torques of 60 Nm to 3,500 Nm.
- ◆ GRIPHOLD® GLD comfortable torque wrench with rotating handle for torques of 160 Nm to 9,800 Nm.
- ◆ GRIPHOLD® GLS2 high-performance capable 2-gear machine for torques of 120 Nm to 48,600 Nm.

GRIPHOLD® SPECIALS

- ◆ Simple 1-finger operation for right / left rotation, optional facility to enable the reaction to be locked in one position.
- ◆ Robust motor housing from cast aluminum with proven pneumatic drive.
- ◆ Proven high-performance gears, produced in a chip-free high-precision process produce high loads with low wear.
- ◆ GRIPHOLD® GLS2 with uniquely high torque - 48,600 Nm.
- ◆ On demand with optional silencer levels to reduce the noise from the motor exhaust.

ADVANTAGES

- ◆ Permanently higher joint quality as compared to impact and hydraulic wrenches by continuous rotation of the square drive
- ◆ GRIPHOLD® GLD - the 360 degree rotating handle ensures comfortable operation and none of the reaction forces are transferred to the operator.
- ◆ GRIPHOLD® GLS2 with fast gear for turning in and simple, quick switching to power gear (is used for applying the final torque).



Technical data

Series GLS	Type	GLS 15	GLS 25	GLS 35	GLS 45	GLS 75	GLS 95	GLS 135	GLS 175	GLS 255	GLS 315
Torque range (approx.)*	Nm	60-220	90-280	130-400	160-500	300-900	360-1100	500-1450	650-1900	900-2700	1200-3500
Square drive	B	1/2" / 3/4"	1/2" / 3/4"	3/4"	3/4"	3/4"	3/4"	1"	1"	1"	1"
Diameter (approx.)	D1 mm	41	41	41	41	41	41	54	54	54	54
Length (approx.)	L mm	255	255	255	255	277	277	300	300	330	330
Weight without DMA (approx.)	kg	6	6	6	6	7	7	8	8	8.5	8.5
Idle speed	rpm	60	38	34	27	19	13	9	7	6	4

Series GLD	Type	GLD 55	GLD 85	GLD 105	GLD 125	GLD 155	GLD 225	GLD 280	GLD 380	GLD 580	GLD 780	GLD 980
Torque range (approx.)*	Nm	160-490	300-900	360-1100	450-1300	600-1700	900-2700	1200-3500	1500-4400	2100-6100	2600-7700	3300-9800
Square drive	B	3/4"	3/4" / 1"	1"	1"	1"	1"	1"	1 1/2"	1 1/2"	1 1/2"	1 1/2"
Diameter (approx.)	D1 mm	41	41/54	54	54	54	54	54	72	72	72	91
Diameter (approx.)	D2 mm	85	85	85	85	85	85	85	98	109	133	173
Diameter (approx.)	D3 mm	88	88	88	88	88	88	88	98	109	133	173
Length (approx.)	L mm	280	300	300	300	300	300	300	320	350	350	370
Weight without DMA (approx.)	kg	7	8	8	8	8	8.5	8.5	10.5	13	15	25
Idle speed	rpm	27	19	12	9	7	5	4	3	2	1.5	1

Series GLS2	Type	GLS2 100	GLS2 150	GLS2 300	GLS2 400	GLS2 600	GLS2 800	GLS2 1000	GLS2 3400	GLS2 4800
Torque range 2nd gear (approx.)*	Nm	120-360	170-500	380-1150	550-1600	850-2500	1000-3000	1200-3500	3300-9700	4700-14000
Torque range 1st gear (approx.)*	Nm	380-1100	550-1600	1200-3600	1700-5100	2700-7900	3200-9400	3700-11000	11600-34000	16500-48600
Square drive	B	3/4" / 1"	1"	1"	1 1/2"	1 1/2"	1 1/2"	1 1/2"	2 1/2"	2 1/2"
Diameter (approx.)	D1 mm	41/54	54	54	72	72	72	91	-	-
Diameter (approx.)	D2 mm	85	85	85	98	109	133	173	-	-
Diameter (approx.)	D3 mm	88	88	88	98	109	133	173	-	-
Length (approx.)	L mm	330	330	360	380	410	410	430	-	-
Weight without DMA (approx.)	kg	7	7.5	9	11	12	16	24	58	58
Idle speed 2nd gear	rpm	36	21	15	9	6	5	4	-	-
Idle speed 1st gear	rpm	12	7	5	3	2	1.5	1	-	-

*At maximum load, please note that there is an available reserve of approx. 20% for possibly increased loosening torques.
 Attention: A safe and stable support must be provided in order to transfer the reaction moment.

Further details upon request.