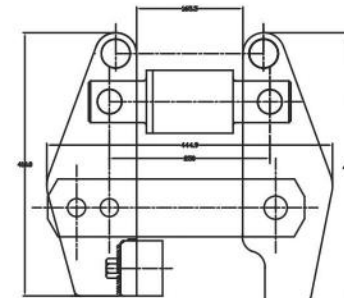
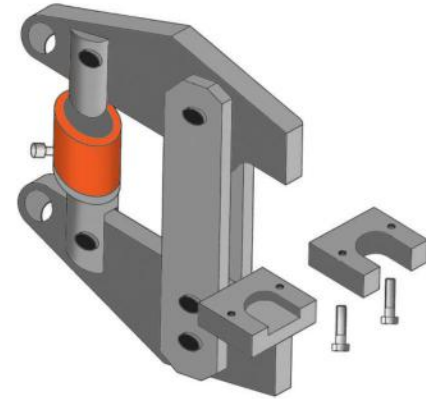


## HYDRAULIC PIN PUSHER

**GRIPHOLD®** hydraulic pin pusher is an equipment to assemble and disassemble elevator chain quickly and safely.

The equipment is working with a hydraulic Jack connected with two links to push the pin of the elevator chain. The equipment is supplied with the standard accessories of Hand pump, 3 meters Hose, pressure gauge and gauge adapter of working pressure 700 bar. Additional adapter plates to be provided to push the pins of different lengths.



Model No.	Capacity (Ton)	Stroke (mm)	Working Pressure (bar)	Length A (mm)	Width B (mm)	Width B1 (mm)	Height C (mm)
GPP-35	35	60	700	420	100	105	445